



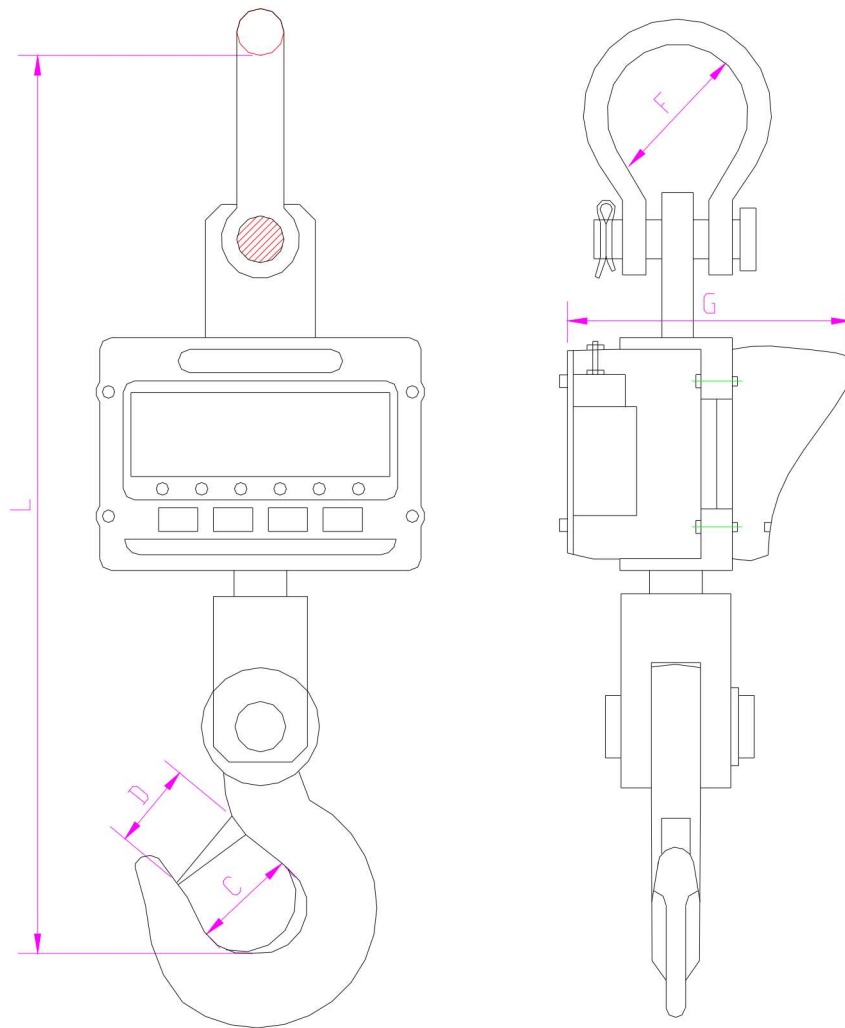
DESCRIPTIONS:

BS402 series electronic crane scale combines reliable, advanced electrical hardware with good software. Using AT series micro-processor and high speed, high precision A/D conversion technology, the BS402 series of scale has a specially designed jittering compensation circuitry so they can reach steady state quickly with strong anti-interference capability. This series of scales can be used for weighing application in commercial trade, mines, storage and transportations.

MAIN FEATURES:

- BS402 series scales have various hardware version with stable performance to support the users all of the world
- Super-bright 5-digital LED display with 30mm letter height, suitable for using indoor with dimly light
- Microdiecasting aluminium-magnesium alloy housing with high strength
- Light self weight and pleasant appearance
- Multi-functions including Hold, Zero and divisions conversion
- Promptly unlock to rear casing to change the battery
- 360° safe rotated hook, convenient to use

DIMENSIONS:



TYPE	Div.	L	F	C	G	D
AAE/AAC (LUX)-0,6		590	76	47	167	40
AAE/AAC (LUX)-1	0,5 Kg	590	76	47	167	40
AAE/AAC (LUX)-2	1 Kg	590	76	47	167	50
AAE/AAC (LUX)-3	1 Kg	590	76	47	167	50
AAE/AAC (LUX)-5	2 Kg	683	80	60	176	52
AAE/AAC (LUX)-10	5 Kg	787	90	70	191	52
AAE/AAC (LUX)-15	10 Kg	917	135	85	196	60